

Melec



2-phase Stepping Motor Driver

ADB-2F40B

Instructions Manual

(For designers' use)

USER'S MANUAL

Please ensure to read and understand this Instructions Manual before using the product. Please keep this Instructions Manual at hand so that it is always available for reference.

CE

MN0225-1

Introduction

This Instructions Manual describes the safe and proper method of handling "2-phase Stepping Motor Driver ADB-2F40B" with emphasis on the specifications, assuming that our readers are engaged in designing of control devices incorporating stepping motors.

Please ensure to read and understand this Instructions Manual before using the product.

Please keep this Instructions Manual at hand so that it is always available for reference.

Descriptions in this manual on safety matters:

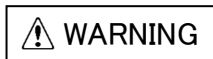
This product must be operated and used properly.

Otherwise , or when it is operated and used erroneously, unforeseen accidents may occur, causing physical injuries or property damages.

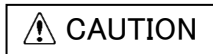
Majority of these accidents can be avoided if you are well informed of hazardous circumstances in advance.

Consequently, this instructions manual describes all the hazardous and dangerous circumstances and situations which can be foreseen and anticipated as well as necessary precautions.

All the above descriptions are being titled by the following symbol-marks and signal-words, namely:



Represents warnings ignorance of which can cause accidents involving fatal or serious physical injuries.



Represents cautions ignorance of which can cause accidents involving minor physical injuries or property damages.

Introduction

Descriptions in this manual on safety matters:

	CONTENTS	PAGE
1. Safety		
1-1. Safety Precautions		6
1-2. Safety Information for Handling		7
2. Overview		
2-1. Characteristics		10
2-2. Product Configuration		10
2-3. Appearance		10
3. Name and Function of Each Section		
3-1. Signal I/O Connector (J1)		11
3-2. DC Input/Motor Output Connector (J2, J3)		12
3-3. POWER LED		12
3-4. O. H. A LED		12
3-5. Operating Section		13
4. Name and Function of Each Section		
4-1. Setting STEP TABLE switch and STEP ANGLE SELECT switch		14
4-2. Setting HOLD CURRENT SELECT switch		15
4-3. Setting DRIVE CURRENT SELECT switch		16
4-4. Setting PULSE INPUT TYPE SELECT switch		17
4-5. Setting HOLD SWITCHING TIME SELECT switch		18
5. Installation		
5-1. Conditions for Installation		19
5-2. Mounting Method		20
6. Connection		
6-1. Overview of Connection Configuration		21
6-2. Connecting Signal I/O Connector (J1)		22
6-3. Connecting DC Input/Motor Output Connector (J2, J3)		23
6-4. Inputting Power		24
7. Confirmation of Setting and Connection		
7-1. Check Points		25

	PAGE
8. Maintenance and Check-up	
8-1. Maintenance and Check-up	26
8-2. Troubleshooting	27
9. Storing and Disposal	
9-1. Storing	28
9-2. Disposal	28
10. Specifications	
10-1. General Specifications	29
10-2. I/O Signal	
(1) Example Circuit Connection	30
(2) Drive pulse input (CW, CCW)	31
(3) Motor excitation stop input (M.F)	32
(4) Phase signal output (P.O)	33
(5) Overheat alarm signal output and overheat alarm LED (O.H.A)	34
10-3. Dimensions	35
10-4. Applicable Motors	36
10-5. Torque Characteristics	37
10-6. Conforming to Europe standards	43

The main parts which revised by this manual

1. Safety

1 – 1. Safety Precautions

 WARNING
--

- (1) This product is not designed or manufactured for application for equipment requiring high level of reliability such as equipment related to nuclear energy, aeronautics-related equipment, automobiles, ships, medical appliances directly handling the human body and equipment that might seriously affect properties.
- (2) Do not use or keep the product in explosive or corrosive environments, in the presence of flammable gases, locations subjected to splashing water, fine particles, soot, steam, or exposed to radiation or direct sunshine. Doing so may cause injury or fire.
- (3) For the driver's power supply, use a DC power supply with reinforced insulation on its primary and secondary sides. Failure to do so may cause electric shock.
- (4) This product is designed for use within machinery, so it should be installed within an enclosure. Failure to do so may cause injury.
- (5) Do not transport, move, install the product, perform connections or inspections when the power is on. Doing so may cause electric shock, injury or fire.
- (6) Only qualified personnel are allowed to transport, move, install the product, perform connections or inspections. Failure to do so may cause injury or fire.

 CAUTION
--

- (7) Do not touch the driver during operation or immediately after stopping. Doing so may cause burn on the skin due to overheating of the driver.
- (8) Ensure to use this product according to the method specified in the Instructions Manual and within the specifications.
- (9) Depending on the operational conditions, the stepping motor may step out when it is on holding-state or driving-state. In particular, the load in transport may fall if the motor steps out on the vertical drive (such as the Z-axis). Start operation after test run for deliberate confirmation of operation.
- (10) Provide fail-safe measures so that the entire system may operate in a safe mode even in cases of the external power supply failure, disconnection of the signal line, or any failure on the driver.

1 – 2. Safety Information for Handling

●Overall:

 CAUTION

Do not touch the driver during operation or immediately after stopping. it may cause burn on the skin due to overheating of the driver.

●When setting up the STEP ANGLE SELECT switch:

 CAUTION

Erroneous setting may cause breakage of the machine or injury due to unexpected rotation of the motor. Ensure correct setting.

●When setting up the HOLD CURRENT SELECT switch:

 CAUTION

A high setting value may cause burn on the skin due to overheating of the motor. Do not select a high value beyond the required.

●When setting up the DRIVE CURRENT SELECT switch:

 CAUTION

Erroneous setting may cause burn on the skin, injury or damage to the motor due to overheating of the motor. Ensure correct setting.

- When setting up the PULSE INPUT TYPE SELECT switch:

⚠ CAUTION

Erroneous setting may cause breakage of the machine or injury due to unexpected rotation of the motor.
Ensure correct setting.

- When installing:

⚠ WARNING

Overheating may cause fire.
Mount it on a noncombustible member.
Keep it away from combustibles.

- When connecting the DC Input/Motor Output Connectors (J2, J3):

⚠ CAUTION

Erroneous connection may cause breakage of the motor or the driver.
Correctly connect the DC Input/Motor output connector.

- When inputting power:

⚠ CAUTION

Breakage of the machine or injury is apprehended due to unexpected behavior of the motor. Maintain the state where emergency stop is enabled at any time.

- When inputting the motor excitation stop (M.F) signal:

⚠ CAUTION

Deterioration of the holding power with the motor may cause breakage of the machine or injury.
Check safety before inputting.

- When the overheat alarm (O.H.A) signal is output:

⚠ WARNING

Overheating may cause fire.
Stop operation upon output of this signal.

- When the overheat alarm (O.H.A) LED comes on:

⚠ WARNING

Overheating may cause fire.
Stop operation when this LED comes on.

- When performing maintenance and checking:

⚠ WARNING

Injury or fire is apprehended due to unexpected behavior.
Do not replace fuse.
Do not disassemble, repair or modify.

2. Overview

2-1. Characteristics

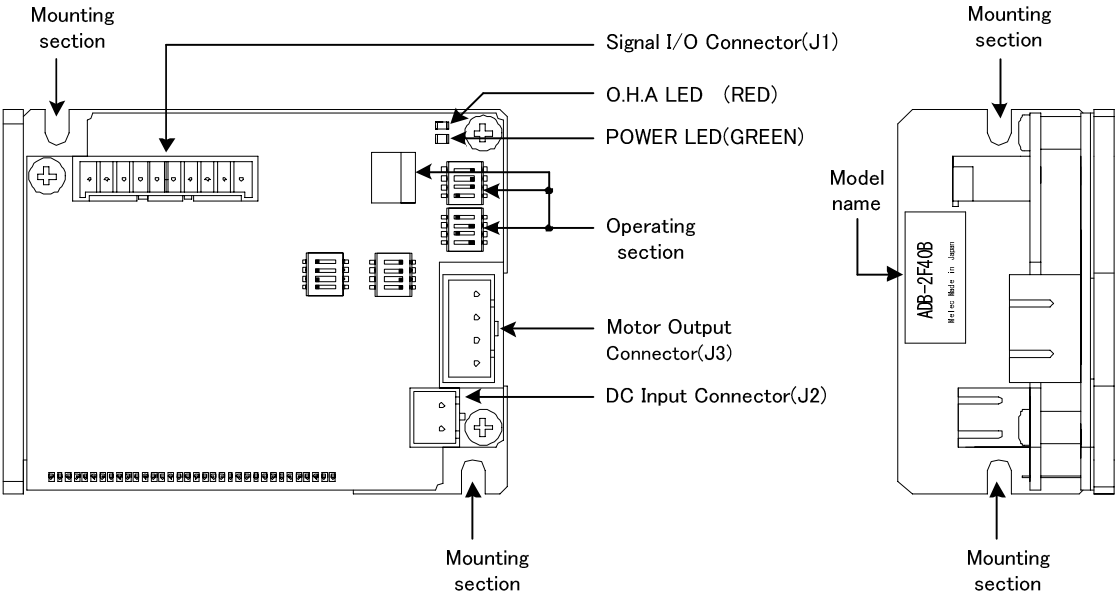
ADB-2F40B is a driver for a 2-phase stepping motor with DC+24V input.
 Driving method is bipolar constant current type.
 It can drive a 2-phase stepping motor of bipolar winding ranging from 1.0A/phase to 2.0/phase.
 Step angles can be selected from fourteen step angles ranging from 1 division to 100 division of the basic angle.
 HOLD CURRENT and DRIVE CURRENT can be set up.

2-2. Product Configuration

The product consists of the main frame and the accessories.

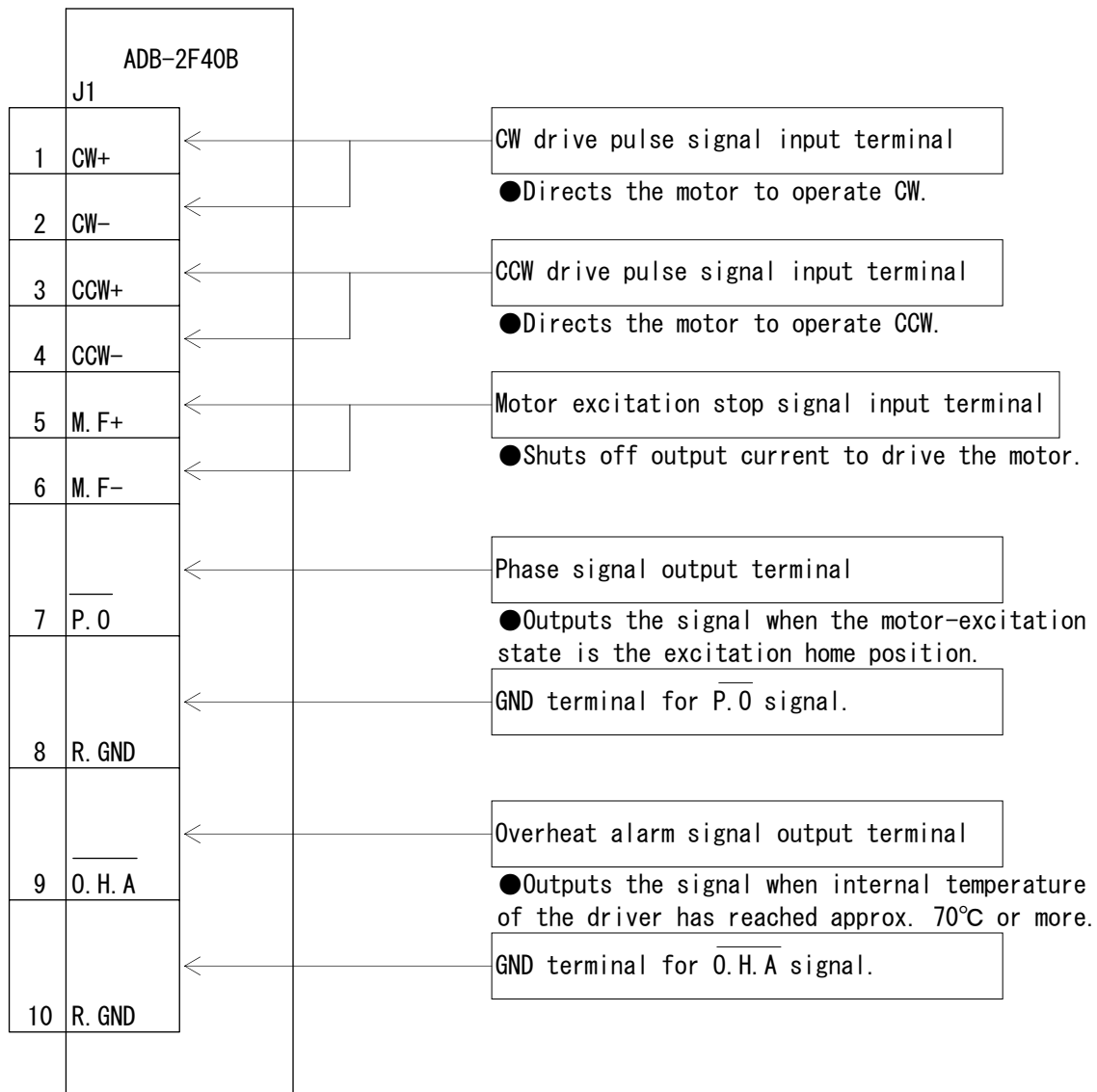
- | | |
|--|---|
| ●ADB-2F40B | One unit |
| ●Housing for J1 (51103-1000:Molex) | One unit (accessory) |
| ●Housing for J2 (51067-0200:Molex) | One unit (accessory) |
| ●Housing for J3 (51067-0400:Molex) | One unit (accessory) |
| ●Contact for J1 (50351-8100:Molex) | 12 contacts (accessories, 2 for spares) |
| ●Contact for J2, J3 (50217-9101:Molex) | 8 contacts (accessories, 2 for spares) |

2-3. Appearance

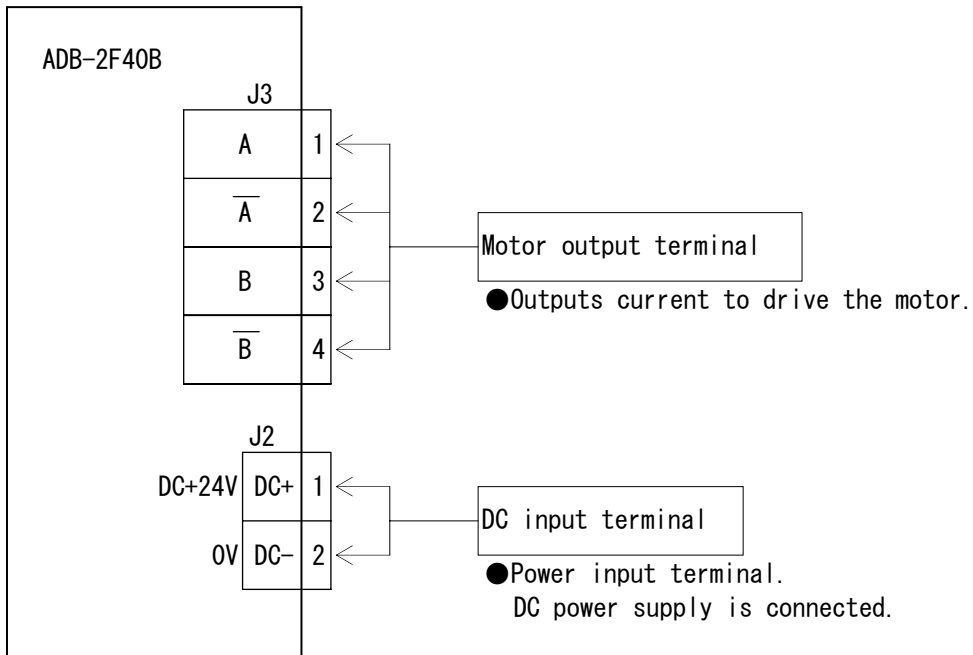


3. Name and Function of Each Section

3 – 1. Signal I/O Connector (J 1)



3 – 2. DC Input/Motor Output Connector (J 2, J 3)



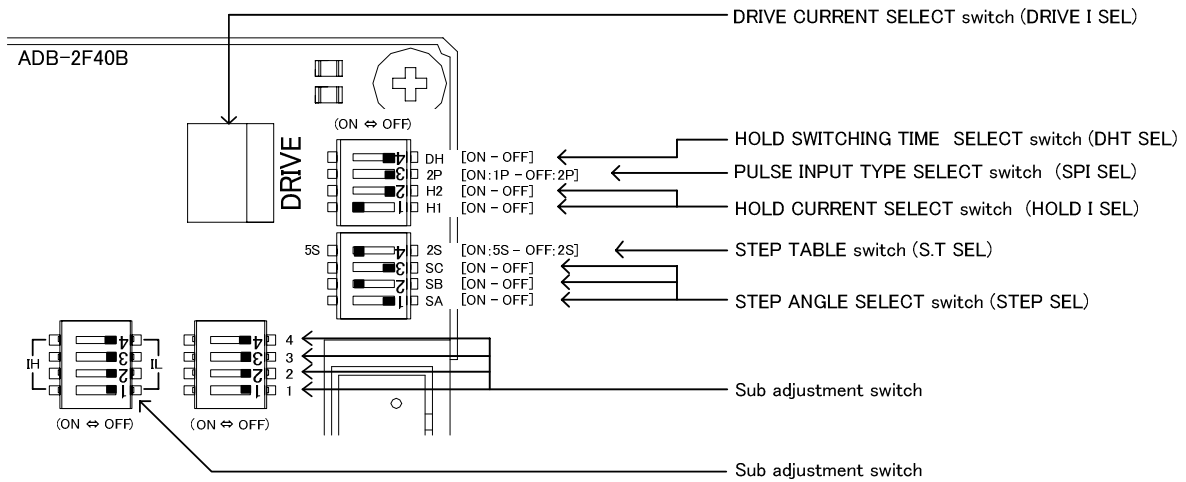
3 – 3. POWER LED

POWER LED (GREEN) comes on upon inputting power.

3 – 4. O.H.A LED

O.H.A LED (RED) comes on when internal temperature of the driver has reached approx. 70°C or more.

3 – 5. Operating Section



Name of Operating Section	Function	Factory Setting
DRIVE CURRENT SELECT switch	Selects DRIVE CURRENT.	[No. 3]

Name of Operating Section	Function	Factory Setting
4 HOLD SWITCHING TIME SELECT switch	DRIVE/HOLD CURRENT automatic switching time is selected.	[OFF (150ms)]
3 PULSE INPUT TYPE SELECT switch	Selects a pulse input type.	[OFF (2P)]
2 HOLD CURRENT SELECT switch	Selects HOLD CURRENT.	H2 : [OFF]
1 HOLD CURRENT SELECT switch		H1 : [ON]

Name of Operating Section	Function	Factory Setting
4 STEP TABLE switch	Selects STEP TABLE.	[ON (5S)]
3 STEP ANGLE SELECT switch	Selects a step angle.	SC : [OFF]
2 STEP ANGLE SELECT switch		SB : [ON]
1 STEP ANGLE SELECT switch		SA : [OFF]

Name of Operating Section	Function	Factory Setting
4 Sub adjustment switch	Use it with OFF.	4 : [OFF]
3 Sub adjustment switch	Use it with OFF.	3 : [OFF]
2 Sub adjustment switch	Use it with OFF.	2 : [OFF]
1 Sub adjustment switch	Use it with OFF.	1 : [OFF]

Name of Operating Section	Function	Factory Setting
4 Sub adjustment switch	Use it with ON.	[ON (IH)]
3 Sub adjustment switch	Use it with ON.	
2 Sub adjustment switch	Use it with ON.	
1 Sub adjustment switch	Use it with ON.	

4. Function Set-up by Use

4 – 1. Setting STEP TABLE switch and STEP ANGLE SELECT switch

⚠ CAUTION

Erroneous setting may cause breakage of the machine or injury due to unexpected rotation of motor.
Ensure correct setting.

The step angle is set up with the S.T SEL switch and the STEP SEL switch.

The step angle can be selected from fourteen different types of step angles.

Set S.T SEL switch with power OFF.

The switches are factory-set to [50 divisions].

- (1) Turn power [OFF].
- (2) Set the step angle required by combining the S.T SEL switch and the STEP SEL switch.

- Relationship between the S.T SEL switch, the STEP SEL switch and the step angle.

S.T SEL switch [ON : 5S]				
STEP SEL switch			1/ Divisions	Step angle(°)
SC	SB	SA		1.8° motor
ON	ON	ON	1/2.5	0.72
ON	ON	OFF	1/5	0.36
ON	OFF	ON	1/10	0.18
ON	OFF	OFF	1/20	0.09
OFF	ON	ON	1/25	0.072
OFF	ON	OFF	1/50	0.036
OFF	OFF	ON	1/100	0.018
OFF	OFF	OFF	–	–

(Factory setting)

S.T SEL switch [OFF : 2S]				
STEP SEL switch			1/ Divisions	Step angle(°)
SC	SB	SA		1.8° motor
ON	ON	ON	1/1	1.8
ON	ON	OFF	1/2	0.9
ON	OFF	ON	1/4	0.45
ON	OFF	OFF	1/8	0.225
OFF	ON	ON	1/16	0.1125
OFF	ON	OFF	1/32	0.05625
OFF	OFF	ON	1/64	0.028125
OFF	OFF	OFF	–	–

4-2. Setting HOLD CURRENT SELECT switch

⚠ CAUTION

A high setting value may cause burn on the skin due to overheating of the motor.
Do not select a high value beyond the required.

HOLD CURRENT is set up with the HOLD I. SEL switch.
The ratio of HOLD CURRENT to DRIVE CURRENT can be selected.
The switch is factory-set to [approx 40%].

- (1) Set the HOLD I. SEL switch to the ratio of HOLD CURRENT to DRIVE CURRENT required.

● Relationship between the HOLD CURRENT.

$$\text{Ratio of HOLD CURRENT (\%)} = \frac{\text{HOLD CURRENT}}{\text{DRIVE CURRENT}} \times 100$$

DRIVE I. SEL [No. 0~No. 2]		
HOLD I. SEL switch		Ratio of HOLD CURRENT (%)
H2	H1	
OFF	OFF	—
OFF	ON	40
ON	OFF	50
ON	ON	100

DRIVE I. SEL [No. 3~No. 9]		
HOLD I. SEL switch		Ratio of HOLD CURRENT (%)
H2	H1	
OFF	OFF	30
OFF	ON	40
ON	OFF	50
ON	ON	100

(Factory setting)

DRIVE I. SEL [No. A~No. F]		
HOLD I. SEL switch		Ratio of HOLD CURRENT (%)
H2	H1	
OFF	OFF	30
OFF	ON	40
ON	OFF	50
ON	ON	—

- HOLD CURRENT changes relative to DRIVE CURRENT setting.
The ratio of HOLD CURRENT [100%] represents the same as the setting for DRIVE CURRENT.
- The effective range of the HOLD I. SEL switch varies according to the setting of the DRIVE I. SEL switch.
- The greater the ratio of HOLD CURRENT grows, the more heat the motor generates when is on holding-state.

4 – 3. Setting DRIVE CURRENT SELECT switch

⚠ CAUTION

Erroneous setting may cause burn on the skin, injury or damage to the motor due to overheating of the motor.
Ensure correct setting.

DRIVE CURRENT is set up with the DRIVE I.SEL switch.
The switch is factory-set to [No.3].

(1) Set the switch No. to the setting specified in the table "10-4. Applicable Motors."

- Relationship between the DRIVE I.SEL switch and DRIVE CURRENT.

Switch No.	A/phase
0	0.63
1	0.75
2	0.88
3	1.00
4	1.13
5	1.25
6	1.38
7	1.50
8	1.63
9	1.75
A	1.88
B	2.00
C	2.13
D	2.25
E	2.38
F	2.50

(Factory setting)

4 – 4. Setting PULSE INPUT TYPE SELECT switch

⚠ CAUTION

Erroneous setting may cause breakage of the machine or injury due to unexpected rotation of motor.
Ensure correct setting.

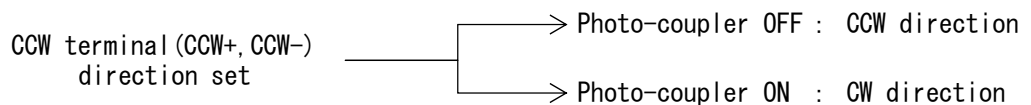
Pulse input method is set up with the SPI SEL switch.
Set this switch with power OFF.
The switch is factory-set to [2P].

- (1) Turn power [OFF].
- (2) Set the SPI SEL [2P/1P] switch.

SPI SEL	Input type
ON	1PULSE (1P)
OFF	2PULSE (2P)

(Factory setting)

- When the motor is operated with two pulse signal inputs of CW and CCW, set the SPI SEL switch to [OFF(2P)].
- When the motor is operated with the pulse signal and direction signal input, set the SPI SEL switch to [ON(1P)].
- In the case that 1-pulse input method is selected, the CCW terminal becomes direction signal input designating the direction of the motor rotation. Drive pulse set to the CW terminal (CW+, CW-).



- The input timing is same with 2-pulse input method and 1-pulse input method . As for input timing, refer to "10-2. (2) Drive pulse input (CW, CCW)"

4 – 5. Setting HOLD SWITCHING TIME SELECT switch

DRIVE/HOLD CURRENT automatic switching time is set up with the DHT SEL switch.

The switch is factory-set to [150ms].

- (1) Set the DHT SEL switch.

DHT SEL	Hold Switching Time
ON	16ms
OFF	150ms

(Factory setting)

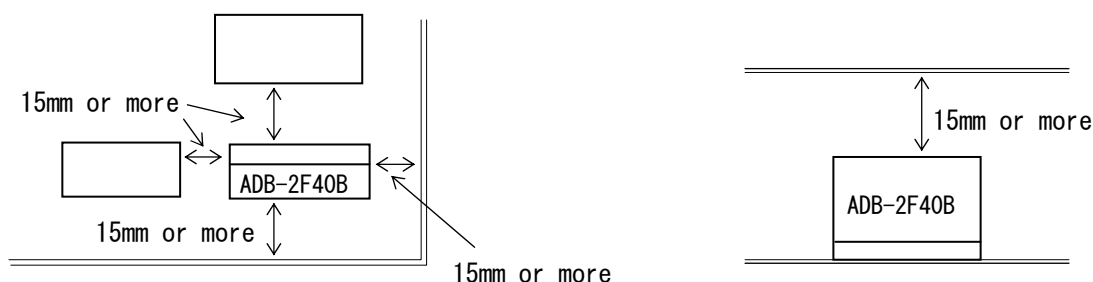
5. Installation

5-1. Conditions for Installation

⚠ WARNING

Overheating may cause fire.
Mount it on a noncombustible member.
Keep it away from combustibles.

- (1) Designed for incorporating into equipment used indoors, this product requires to be installed in the following environment:
- Indoors (where it is not exposed to direct sun).
 - Where ambient temperature and humidity are controlled within the range set out in the specifications.
 - Where there is no explosive, corrosive or inflammable gas.
 - Where it can be protected from dust, salt or iron powder.
 - Where the product main frame is not exposed to direct vibration or shock.
 - Where it is not exposed to splashes of water, oil or chemicals.
- (2) Install the driver at least 15mm away from other equipment.



- (3) Considering heat release, control the ambient temperature around the driver within the specified value.
- Take measures against accumulation of heat such as allowing generous space around the driver or installing a fan so that heat release is taken care of.
 - Install the driver securely in contact with metal or other substance with adequate heat conductivity.
- (4) In the case that the overheat alarm signal is output, perform the cooling measure of the mounting plate is enlarged or compulsion air cooling etc.
Use the driver on the condition that the overheat alarm signal is not output.
- (5) Do not allow standing or placing anything heavy on the product.

5 – 2. Mounting Method

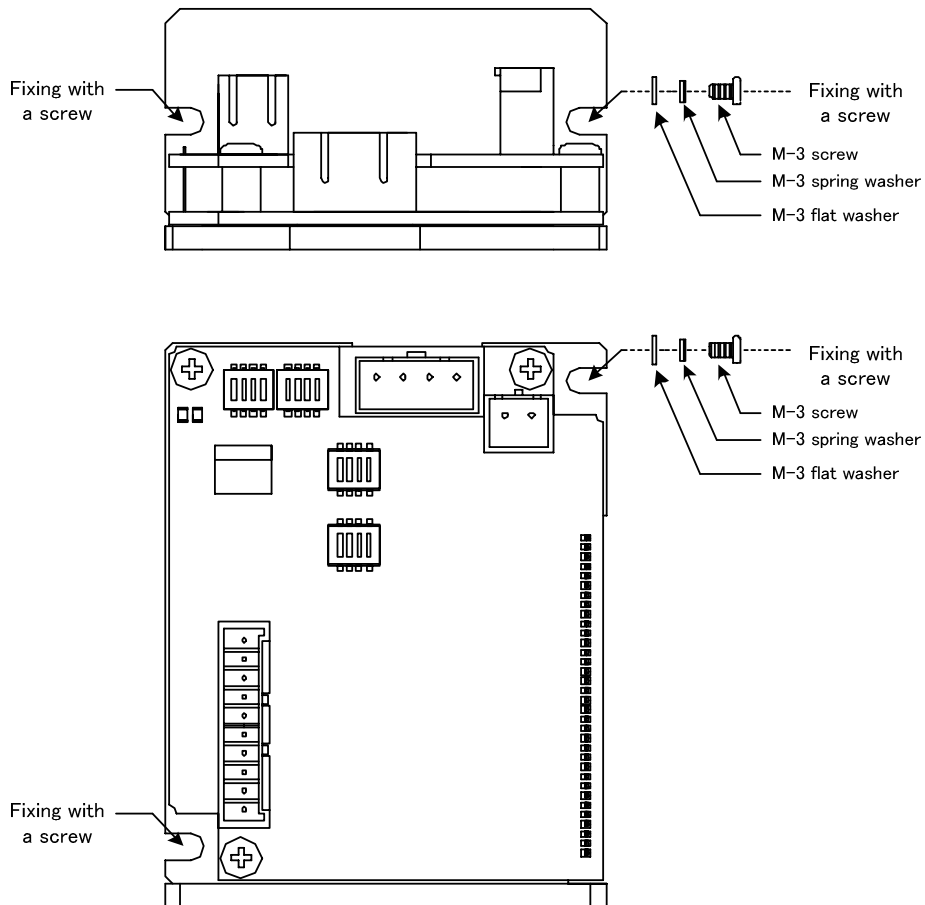
The round holes on the main body are used.

The following items are required:

- M-3 screw (8mm or more in length): 2
- M-3 spring washer: 2
- M-3 flat washer: 2

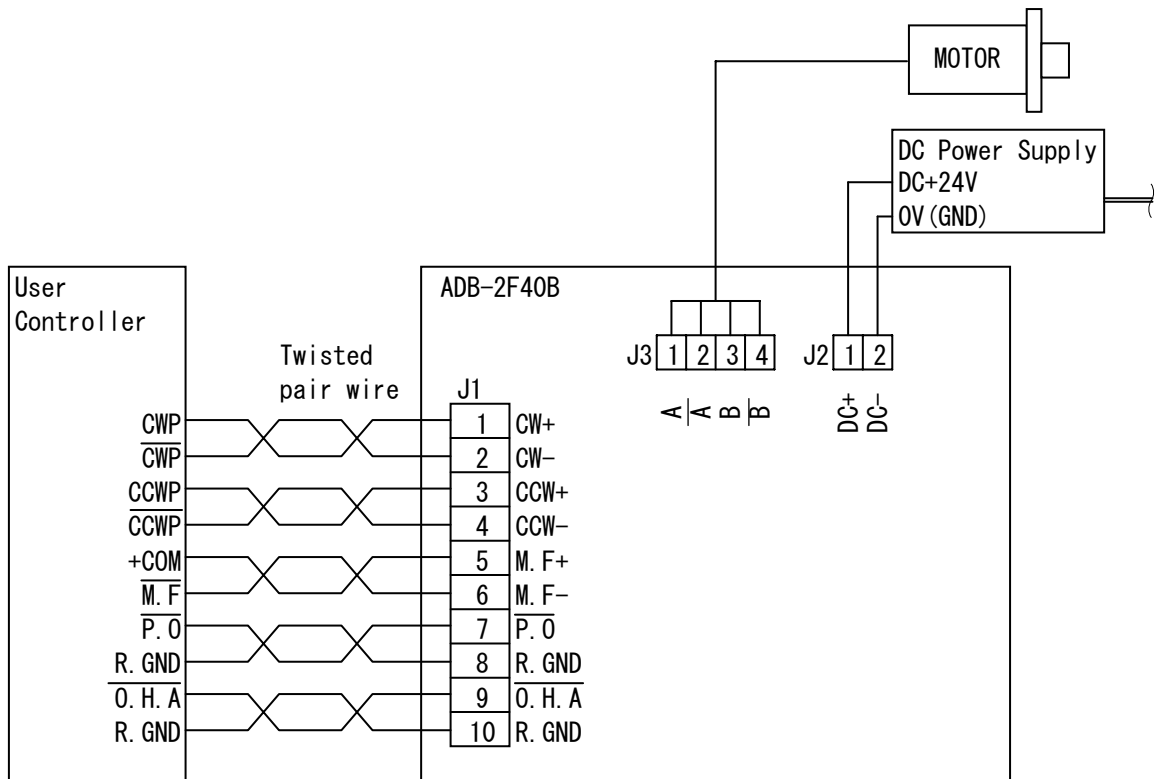
(1) Fix the product at the two round holes on the main body.

● Mounting example



6. Connection

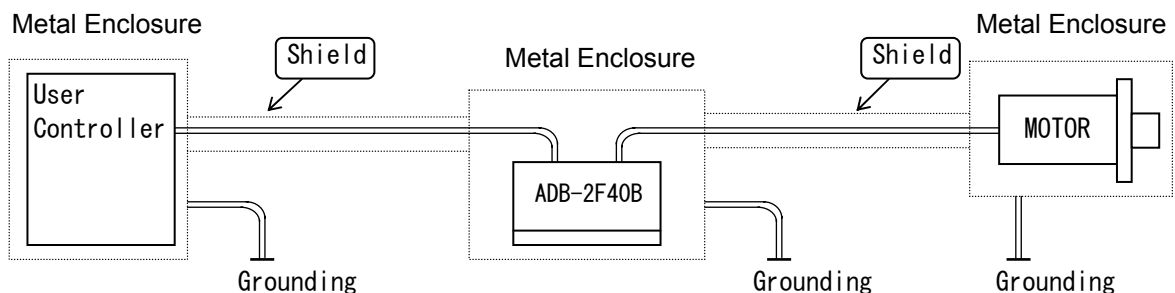
6-1. Overview of Connection Configuration



- Connect only one motor to one driver.
- Do not power ON/OFF by the relay etc. in the output side of the DC power supply.
- Use twisted pair wire for the CW/CCW input signal line.
- Provide shielding for the signal line where considerable noise is generated.
- Use the wire material of the characteristic that is difficult to burn.
- Provide shielding for the motor line if it generates significant noise.
- For the driver's power supply, use a DC power supply with reinforced insulation on its primary and secondary sides.

[Example configuration]

The metallic enclosure and shielded wires work to shield noise.

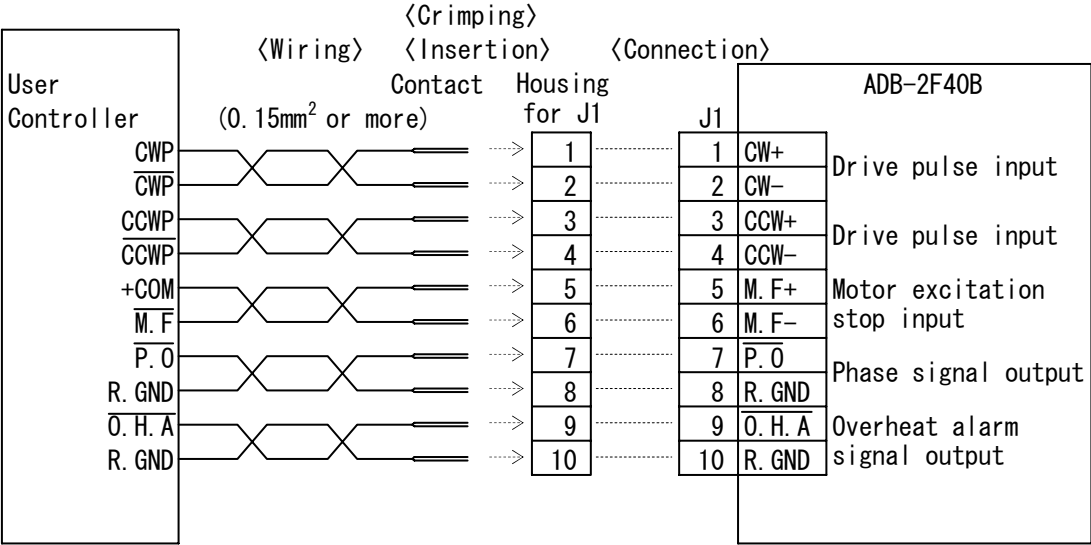
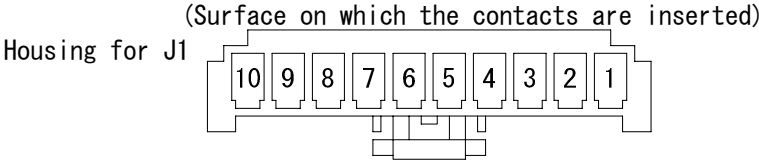


6 – 2. Connecting Signal I/O Connector (J 1)

The following items are required:

- Housing for J1 (51103-1000:Molex) One unit (accessory)
- Contact for J1 (50351-8100:Molex) 10 contacts (accessories)
- Manually operated crimping tool One unit
- for AWG28-22 (57295-5000:Molex)

- (1) Crimp the contact to the cable used for wiring.
- (2) Insert the contact into the housing.
Make sure that the housing No. and the connector No. on the main frame are matched before inserting the contacts.
- (3) Connect the housings to the connectors on the main frame.
 - The contacts for J1 are 10 pieces.
 - When inserting, keep pushing J1 housing into the connectors until it is locked. Also, check if the contacts are not displaced from the housing.
 - In wiring, isolate the J1 signal lines from equipment that may be a source of noise, the power line and the motor line.



6 – 3. Connecting DC Input/Motor Output Connector (J 2 , J 3)

⚠ CAUTION

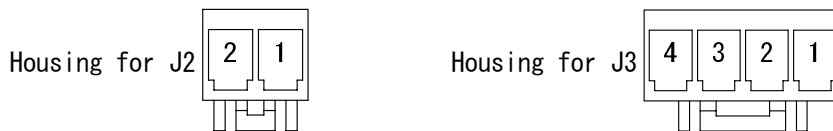
Erroneous connection may cause breakage of the motor or the driver. Correctly connect the DC Input/Motor output connector.

The following items are required:

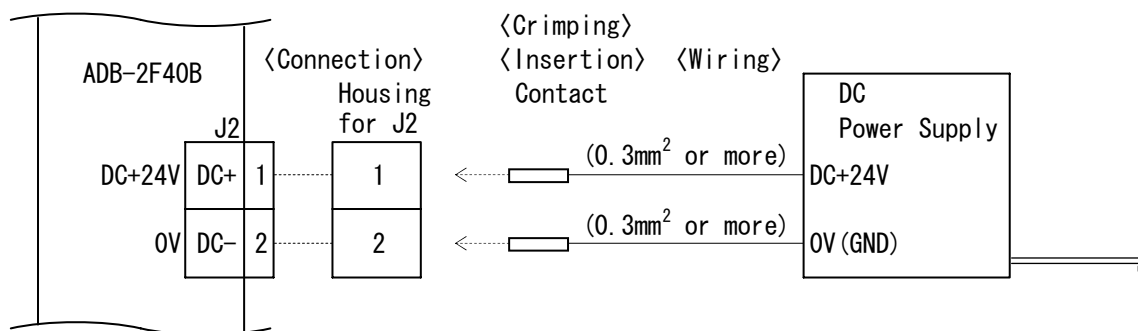
- Housing for J2 (51067-0200:Molex) One unit (accessory)
- Housing for J3 (51067-0400:Molex) One unit (accessory)
- Contact for J2, J3 (50217-9101:Molex) 6 contacts (accessories)
- Manually operated crimping tool One unit
for AWG24-18(57189-5000:Molex)

- (1) Crimp the contact to the cable used for wiring.
- (2) Insert the contact into the housing.
Make sure that the housing No. and the connector No. on the main frame are matched before inserting the contacts.
- (3) Connect the housings to the connectors on the main frame.
 - The contacts for J2(for DC input) are 2 pieces, and for J3(motor output) are 4 pieces.
 - When inserting, keep pushing J2, J3 housings into the connectors until it is locked. Also, check if the contacts are not displaced from the housing.

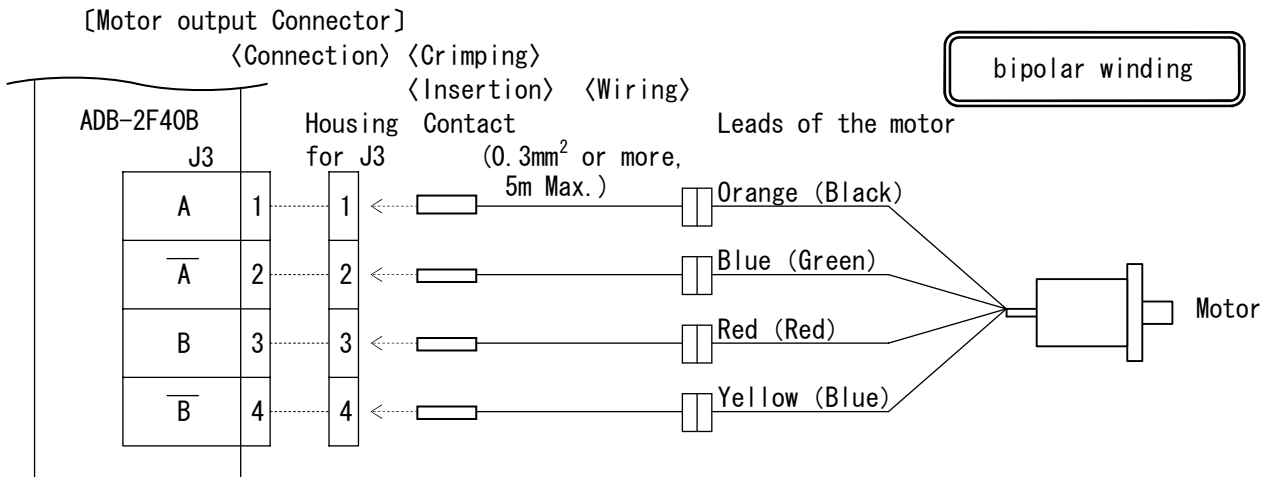
(Surface on which the contacts are inserted)



[DC input Connector]



- Do not power ON/OFF by the relay etc. in the output side of the DC power supply.



- Color indications for leads of the motor indicate motor of the SANYO DENKI CO., LTD.. Color indications for leads of the motor in parentheses indicate motor of the ORIENTAL MOTOR Co., Ltd..
- Use a cable of 5m or less for the motor cable .

6 – 4. Inputting Power

CAUTION

Breakage of the machine or injury is apprehended due to unexpected behavior of the motor. Maintain the state where emergency stop is enabled at any time.

- (1) Input the DC power supply (DC+24V) in the cable that connected to No.1 and No. 2 terminals of J2.

7. Confirmation of Setting and Connection

7 – 1. Check Points

This product requires different switch setting and motor wiring depending on the motor used.

Check if the switch setting and the motor wiring are correctly performed.

Check Points		Check	Remarks
Setting of PULSE INPUT TYPE SELECT switch	SPI SEL (1P/2P)		
Setting of HOLD SWITCHING TIME SELECT switch	DHT SEL		
Setting of STEP TABLE switch	S. T SEL (5S/2S)		
Setting of STEP ANGLE SELECT switch	STEP SEL (SA, SB, SC)		
Setting of DRIVE CURRENT SELECT switch	DRIVE I. SEL (switch No.)		
Setting of HOLD CURRENT SELECT switch	HOLD I. SEL (H1, H2)		
Sub adjustment switch			
Connection of J1			
Connection of J2	DC+, DC-		
Connection of J3	MOTOR		

8. Maintenance and Check-up

8 – 1. Maintenance and Check-up

⚠ WARNING

Injury or fire is apprehended due to unexpected behavior.
Do not replace fuse.
Do not disassemble, repair or modify.

- (1) As for maintenance inspections the engineer of the specialty shall do it.
- (2) We recommend that the following check-ups should be performed periodically:
 - Checking for any loosened contact on the connectors.
 - Checking for any flaw and crack on the cabling.
- (3) In case of failure, return the driver to us and have it repaired.

8 – 2. Troubleshooting

Trouble	Check Item	Assumed Cause
1. POWER LED does not come on.	<ul style="list-style-type: none"> ▪ Connection of power supply. ▪ Value of power voltage. 	<ul style="list-style-type: none"> ▪ Wiring error with power supply. ▪ Power voltage failure. ▪ Driver failure.
2. The motor is not excited. (It can be easily rotated by hand.)	<ul style="list-style-type: none"> ▪ Connection of the motor to the driver. ▪ ON/OFF status of the M.F signal. 	<ul style="list-style-type: none"> ▪ Wiring error with the motor and the driver. ▪ The M.F signal is input. ▪ Driver failure.
3. The motor does not rotate. The motor behaves abnormally. The motor steps out.	<ul style="list-style-type: none"> ▪ The same check items as those under item 2 above. ▪ Setting of the PULSE INPUT TYPE SELECT switch. ▪ Connection of the pulse signal. ▪ Voltage and wave form of the pulse signal. ▪ Setting of the DRIVE CURRENT SELECT switch. ▪ Setting of the STEP ANGLE SELECT switch. 	<ul style="list-style-type: none"> ▪ Wrong setting for the pulse input type. ▪ Wiring error with the pulse signal line. ▪ Pulse signal of wrong specifications. ▪ DRIVE CURRENT is too low. ▪ Wrong setting for the step angle. ▪ Driver failure. ▪ Motor failure.
4. The motor steps out during acceleration.	<ul style="list-style-type: none"> ▪ Starting pulse speed. ▪ Acceleration time. 	<ul style="list-style-type: none"> ▪ Starting pulse signal speed is too high. ▪ Acceleration time is too short.
5. The motor generates excessive heat.	<ul style="list-style-type: none"> ▪ Setting of the DRIVE CURRENT SELECT switch. ▪ Value of the HOLD CURRENT SELECT switch. 	<ul style="list-style-type: none"> ▪ DRIVE CURRENT is higher than the setting for the applicable motor. ▪ The setting for HOLD CURRENT is too high.

(1) Short-circuiting of the motor output connector may cause the driver to fail.

- The motor output connector and the power line.
- The motor output connector and the motor output connector.

(2) Disconnection of the motor output line may cause the driver to fail.

- Disconnection of the motor output line cable.
- Loose connection of connector.

(3) When a large inertial load (motor rotor inertia x 5 or more) is operated at high speed (rotational speed $20s^{-1}$ or more), regenerative energy will generate and increase the power supply voltage, which can damage the driver. Review the operating condition and make sure regenerative voltage will not generate.

When the failure phenomenon cannot be remedied, contact our office.

9. Storing and Disposal

9 – 1. Storing

(1) Keep the product in the following environment:

- Indoors (where it is not exposed to direct sun).
- Where ambient temperature and humidity are controlled within the range set out in the specifications.
- Where there is no explosive, corrosive or inflammable gas.
- Where it can be protected from dust, salt or iron powder.
- Where the product main frame is not exposed to direct vibration or shock.
- Where it is not exposed to splashes of water, oil or chemicals.

(2) Do not allow standing or placing anything heavy on the product.

9 – 2. Disposal

(1) Dispose of the product as industrial waste.

1 0. Specifications

1 0 – 1. General Specifications

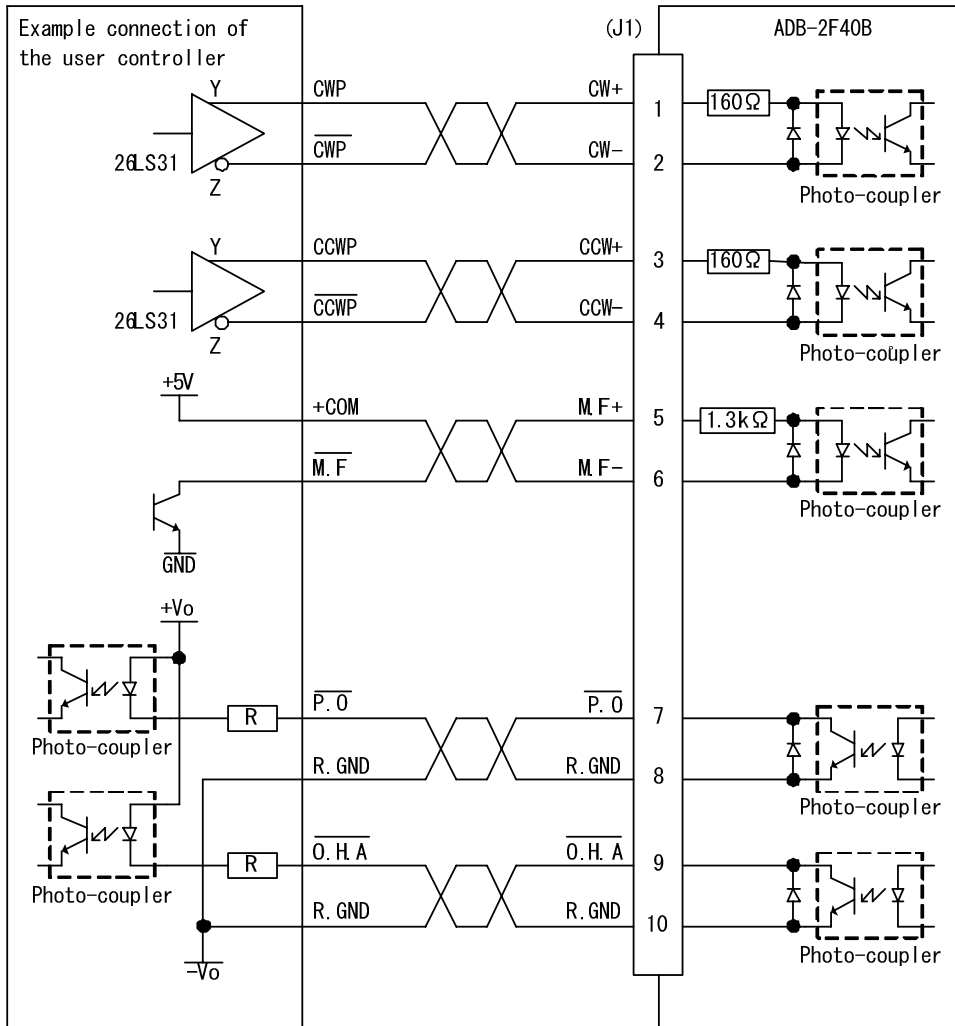
Supply Power	DC+24V *1 (Ripple voltage P-P 2.0V or less) ●Rated input current : [DRIVE I. SEL ⇒ No. F set up] at DRIVE DC+24V: 2.7A *2 ●Rated input current : [HOLD I. SEL ⇒ Approx. 40% set up] at HOLD DC+24V: 0.6A	
Motor output current	●DRIVE CURRENT 0.63A/phase~2.50A/phase ●HOLD CURRENT Approx. 40% of DRIVE CURRENT (factory-set)	
Input Signal	●Drive pulse input (CW, CCW) -----	Photo-coupler input
	●Motor excitation stop input (M.F) -----	Photo-coupler input
Output Signal	●Phase signal output (P.O) -----	O/C output
	●Overheat alarm output (O.H.A) -----	O/C output
Functions of Operating Sections	●HOLD CURRENT selection (HOLD I. SEL) ●DRIVE CURRENT selection (DRIVE I. SEL) ●STEP TABLE selection (S.T SEL) ●STEP ANGLE selection (STEP SEL) ●HOLD SWITCHING TIME selection (DHT SEL) ●PULSE INPUT TYPE selection (SPI SEL)	
Operating Ambient Temperature	0°C ~ +40°C (No freezing allowed.)	
Operating Ambient Humidity	80%RH or less (No condensation allowed.)	
Storing Temperature	-10°C ~ +55°C (No freezing allowed.)	
Storing Humidity	80%RH or less (No condensation allowed.)	
Atmosphere	Indoor (Exposure to direct sun is not allowed.) Without any explosive, corrosive or inflammable gas, oil mist, or dust.	
Withstanding Vibration	No abnormality should be found after a vibration test at 10~55Hz, 0.15mm P-P	
Insulation resistance	DC connector - signal connector - Frame (Each other)	DC500V 100MΩ or more
Exterior Dimensions	^H 75 × ^W 58 × ^D 32 (mm)	
Weight	0.11 kg	

*1 Input voltage range is DC+24V±10%.

*2 Use a power supply that provides sufficient input current.

1 0 - 2. I/O Signal

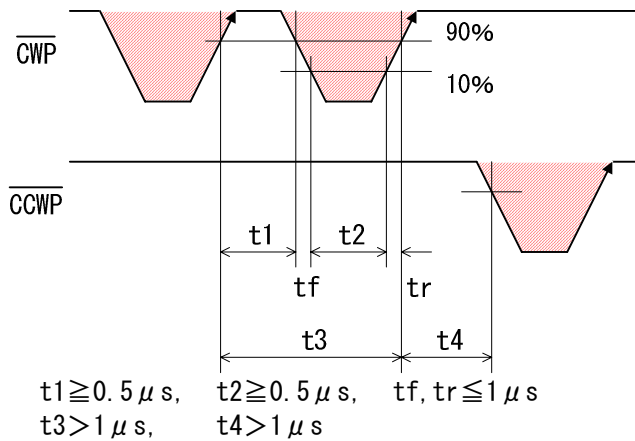
(1) Example Circuit Connection



(2) Drive pulse input (CW, CCW)

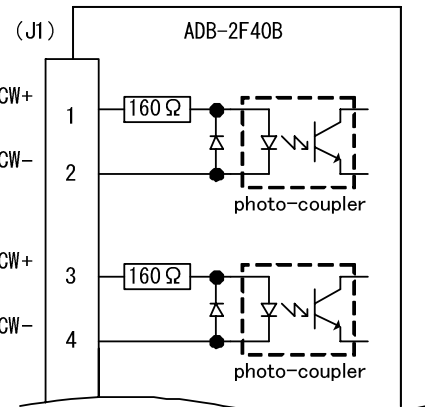
- ① Operating current range : 9mA~27mA
The photo-coupler turns on with inter-terminal voltage of 3.1 V~5.5 V.
(Photo-coupler diode $V_F \doteq 1.6$ V)

② Timing chart

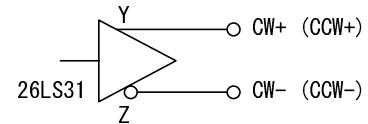


Maximum response frequency : 1MHz

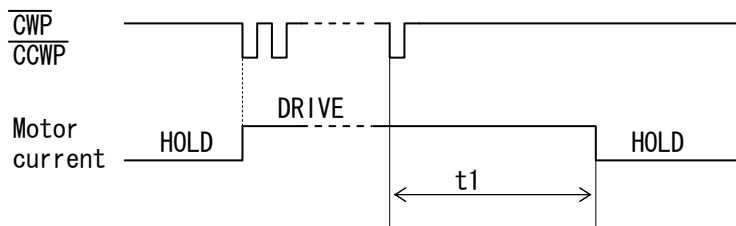
- The shaded area () indicates light emission from the photo-coupler, and the motor is driven at the rising edge ().
"t4" greatly varies according to the inertial moment including that of the motor.



[To the line driver 26LS31]



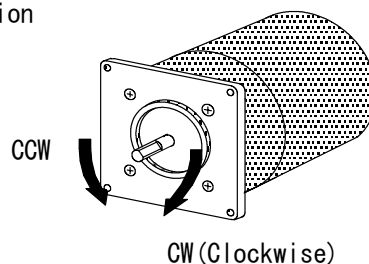
③ Automatic switching for DRIVE/HOLD



$t_1 \doteq 16ms$ (HOLD SWITCHING TIME SELECT switch : ON)
 $t_1 \doteq 150ms$ (HOLD SWITCHING TIME SELECT switch : OFF)

- Inputting drive pulse causes the current output to the motor to change from HOLD CURRENT to DRIVE CURRENT, which returns to HOLD CURRENT in about "t1".
DRIVE CURRENT continues if pulse is input on driving-state.

④ Direction of rotation

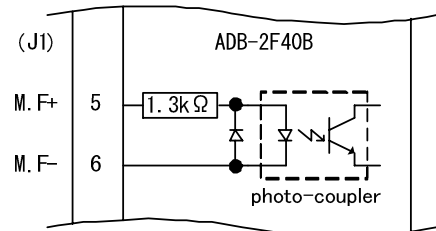


(3) Motor excitation stop input (M.F)

⚠ CAUTION

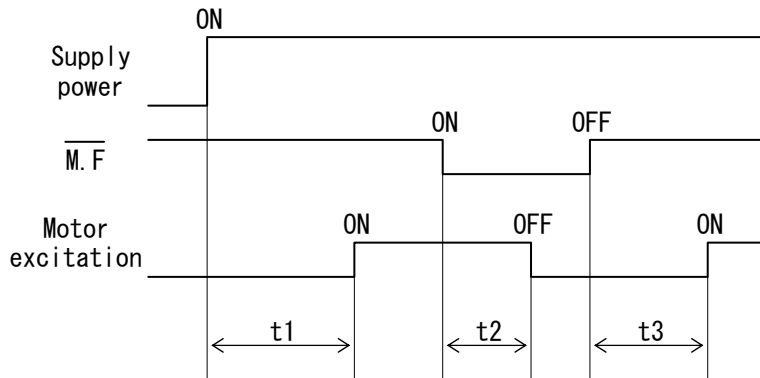
Deterioration of the holding power with the motor may cause breakage of the machine or injury.
Check safety before inputting.

- ① Operating current range : 2.6mA~19.5mA
 The photo-coupler turns on with inter-terminal voltage of 4.5 V~26.4 V.
 (Photo-coupler diode $V_F \doteq 1.1$ V)



- Motor output current is shut off with the photo-coupler ON.
At this time, motor torque changes to detent torque.
- When this signal is input, motor torque may be lost, resulting in failure to retain the load transported.
In particular, this risk is high with the vertical drive (such as the Z-axis).

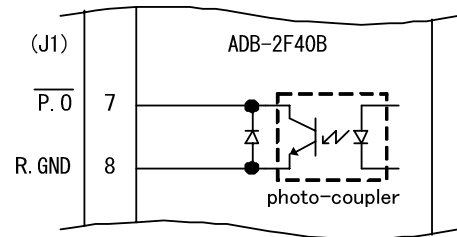
② Timing chart



- $t1 \leq 300\text{ms}$ (t1 : Time required for the motor to be enabled.)
 $t2 \leq 5\text{ms}$ (t2 : Time required for the motor output current to be shut off.)
 $t3 \leq 100\text{ms}$ (t3 : Time required for the motor to be enabled.)

(4) Phase signal output (P.0)

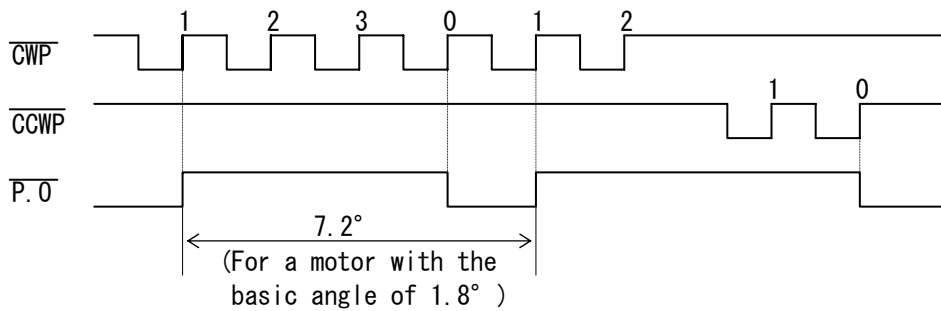
- ① Output current a. $I_C \leq 6\text{mA}$, $V_{CE} < 5\text{V}$
 b. $I_C \leq 2\text{mA}$, $V_{CE(sat)} \leq 0.6\text{V}$
 $V_{CE0} \leq 30\text{V}$



- In case of the excitation home position, the signal is output.
(photo-coupler ON)

② Timing chart

- P.0 output timing (for 1/1 STEP)



- P.0 output time

1/1 STEP: once in 4 pulses	1/2.5 STEP: once in 10 pulses
1/2 STEP: once in 8 pulses	1/5 STEP: once in 20 pulses
1/4 STEP: once in 16 pulses	1/10 STEP: once in 40 pulses
1/8 STEP: once in 32 pulses	1/20 STEP: once in 80 pulses
1/16 STEP: once in 64 pulses	1/25 STEP: once in 100 pulses
1/32 STEP: once in 128 pulses	1/50 STEP: once in 200 pulses
1/64 STEP: once in 256 pulses	1/100 STEP: once in 400 pulses

(5) Overheat alarm signal output and overheat alarm LED (O. H. A)

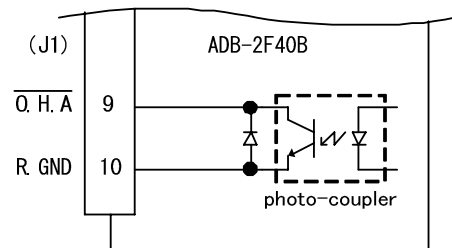
⚠ WARNING

Overheating may cause fire.
Stop operation upon output of this signal.

⚠ WARNING

Overheating may cause fire.
Stop operation when this LED comes on.

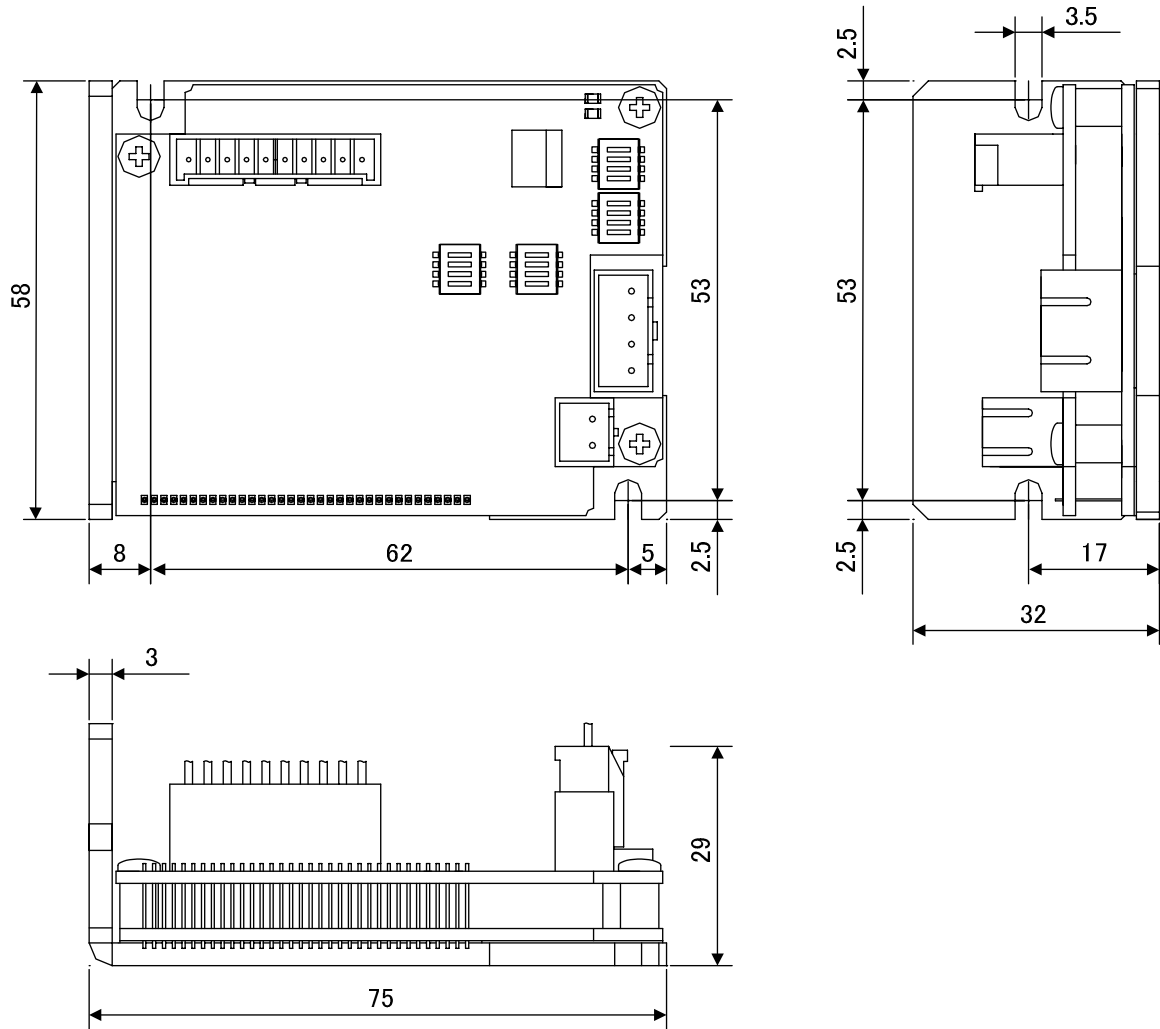
- ① Output current
- $I_C \leq 6\text{mA}$, $V_{CE} < 5\text{V}$
 - $I_C \leq 2\text{mA}$, $V_{CE(\text{sat})} \leq 0.6\text{V}$
 $V_{CE0} \leq 30\text{V}$



- Use overheat alarm signal output (O. H. A) without fail.
- In case of internal temperature of the driver reaches approx. 70°C or more, the signal is output (photo-coupler ON) and O. H. A LED comes on. At this time the motor output current is not blocked.
- When this signal is output, stop operation and check if there is any abnormality occurring with the motor and the driver.
- Provide mechanical cooling, for example, if this signal is output while no abnormality is detected.
- Continuous operation is possible unless this signal is output.

1 0 - 3. Dimensions

(Unit : mm)



1 0 – 4. Applicable Motors

- ADB-2F40B can drive a 2-phase stepping motor of bipolar winding ranging from 1.0A/phase to 2.0A/phase.

SANYO DENKI CO., LTD.		Basic Angle (°)	Current (A/phase)	Setting DRIVE I. SEL switch No.	Torque Data Fig. No.
□28mm	103H3205-5770 (5730)	1.8	1.0	3	Fig. 1
	103H3215-5770 (5730)	1.8	1.0	3	Fig. 2
□42mm	103H5205-5240 (5210)	1.8	1.0	3	Fig. 3
	103H5208-5240 (5210)	1.8	1.0	3	Fig. 4
	103H5209-5240 (5210)	1.8	1.0	3	Fig. 5
	103H5210-5240 (5210)	1.8	1.0	3	Fig. 6
□56mm	103H7121-5040 (5010)	1.8	2.0	B	Fig. 7
	103H7121-5640 (5610)	1.8	1.0	3	Fig. 8
	103H7121-5740 (5710)	1.8	2.0	B	Fig. 9
□56mm	103H7123-5040 (5010)	1.8	2.0	B	Fig. 10
	103H7123-5640 (5610)	1.8	1.0	3	Fig. 11
	103H7123-5740 (5710)	1.8	2.0	B	Fig. 12
□56mm	103H7126-5040 (5010)	1.8	2.0	B	Fig. 13
	103H7126-5640 (5610)	1.8	1.0	3	Fig. 14
	103H7126-5740 (5710)	1.8	2.0	B	Fig. 15
□56mm	103H7128-5640 (5610)	1.8	1.0	3	Fig. 16
	103H7128-5740 (5710)	1.8	2.0	B	Fig. 17
□50mm	103H6704-5040 (5010)	1.8	2.0	B	Fig. 18
ORIENTAL MOTOR Co., Ltd.		Basic Angle (°)	Current (A/phase)	Setting DRIVE I. SEL switch No.	Torque Data Fig. No.
□28mm	PK223PDA (B)	1.8	1.5	7	Fig. 19
	PK224PDA (B)	1.8	1.5	7	Fig. 20
	PK225PDA (B)	1.8	1.5	7	Fig. 21
□35mm	PK233PDA (B)	1.8	1.5	7	Fig. 22
	PK235PDA (B)	1.8	1.5	7	Fig. 23
□42mm	PK243DA (B)	1.8	1.5	7	Fig. 24
	PK244DA (B)	1.8	1.5	7	Fig. 25
	PK245DA (B)	1.8	1.5	7	Fig. 26
□42mm	PK244PDA (B)	1.8	1.5	7	Fig. 27
	PK246PDA (B)	1.8	1.5	7	Fig. 28
Factory Setting				3	—

() : Both axis

1 0 – 5. Torque Characteristics

- (1) Representations in the torque characteristics table are made in terms of the motor rotation (s^{-1}) vs. torque ($N \cdot m$).

Motor rotation (s^{-1}) and drive pulse frequency (Hz) are converted as follows:

$$\text{Motor rotation}(s^{-1}) \times \frac{360^{\circ}}{\text{Step angle}} = \text{Drive pulse input frequency(Hz)}$$

- (2) The Maximum Starting Pulse Rate is represented as "fs" by the value at zero inertial load.
- (3) Upon operation, provide adequate allowance for torque.
- (4) The stepping motor may attain high temperature, depending on the operational conditions.
Use the stepping motor according to the Instructions Manual produced by motormakers.

Instructions Manual

Fig. 1

ADB-2F40B
103H3205-5730
1.0A/PHASE

MOTOR SEL = No. 3
DC24V

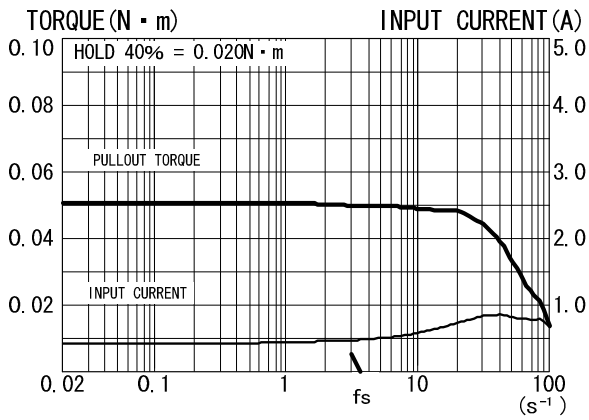


Fig. 2

ADB-2F40B
103H3215-5730
1.0A/PHASE

MOTOR SEL = No. 3
DC24V

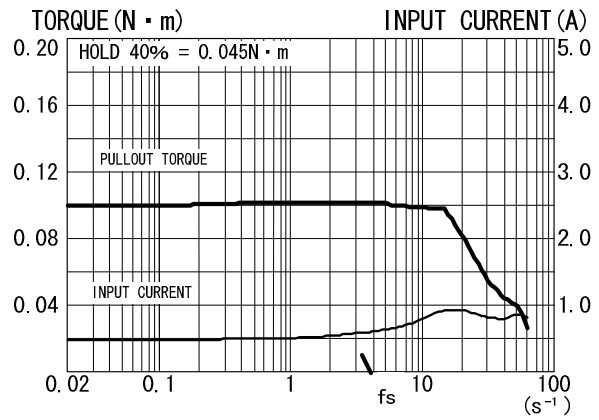


Fig. 3

ADB-2F40B
103H5205-5210
1.0A/PHASE

MOTOR SEL = No. 3
DC24V

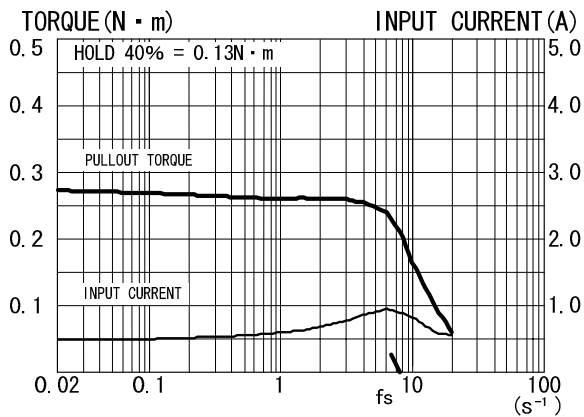


Fig. 4

ADB-2F40B
103H5208-5210
1.0A/PHASE

MOTOR SEL = No. 3
DC24V

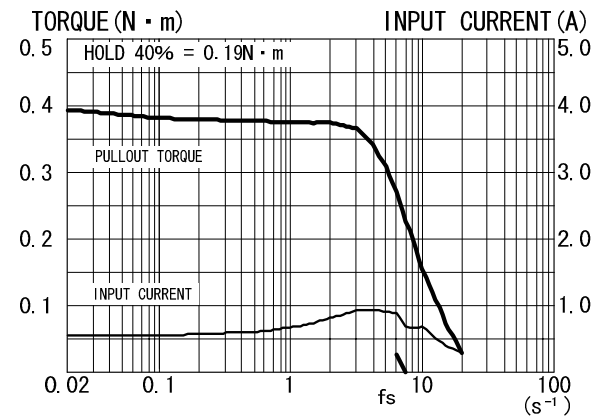


Fig. 5

ADB-2F40B
103H5209-5210
1.0A/PHASE

MOTOR SEL = No. 3
DC24V

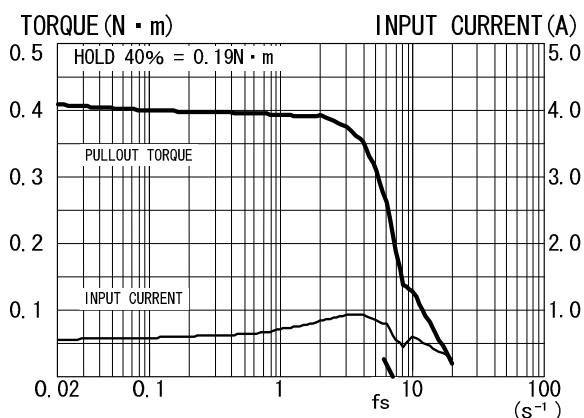
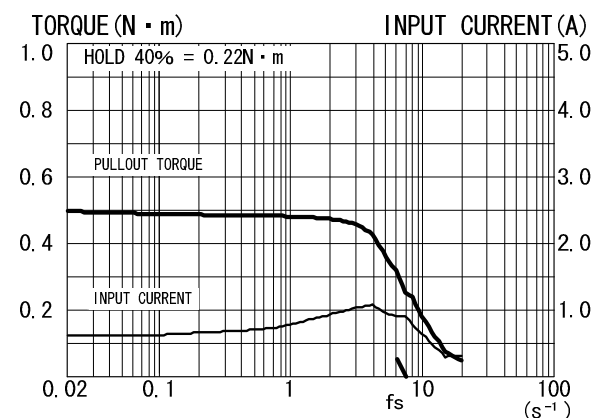


Fig. 6

ADB-2F40B
103H5210-5210
1.0A/PHASE

MOTOR SEL = No. 3
DC24V



Instructions Manual

Fig. 7

ADB-2F40B
103H7121-5010
2.0A/PHASE

MOTOR SEL = No. B
DC24V

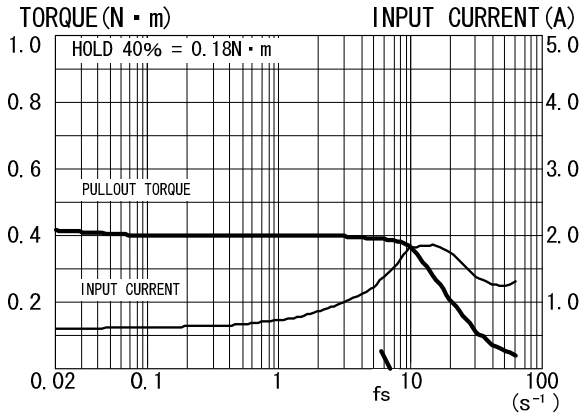


Fig. 8

ADB-2F40B
103H7121-5610
1.0A/PHASE

MOTOR SEL = No. 3
DC24V

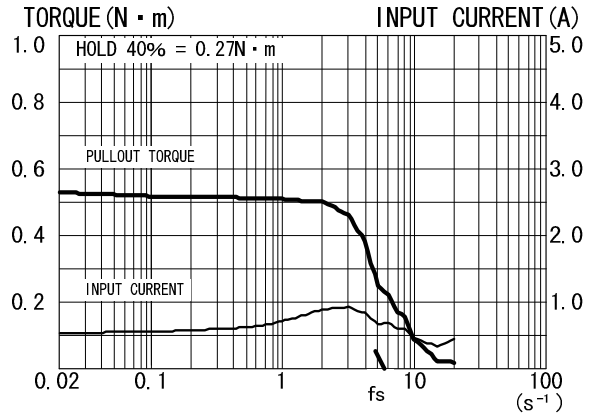


Fig. 9

ADB-2F40B
103H7121-5710
2.0A/PHASE

MOTOR SEL = No. B
DC24V

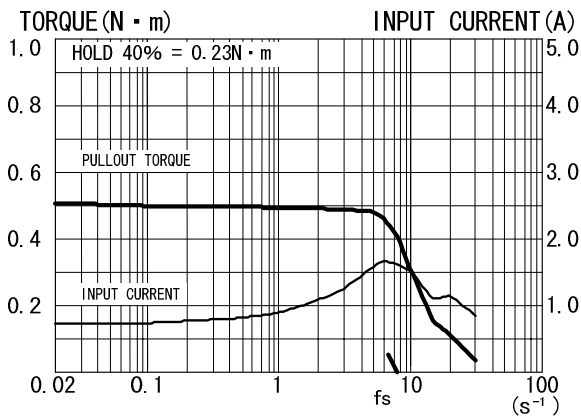


Fig. 10

ADB-2F40B
103H7123-5010
2.0A/PHASE

MOTOR SEL = No. B
DC24V

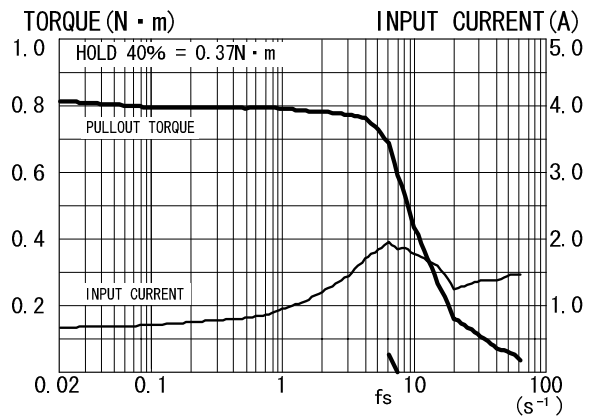


Fig. 11

ADB-2F40B
103H7123-5610
1.0A/PHASE

MOTOR SEL = No. 3
DC24V

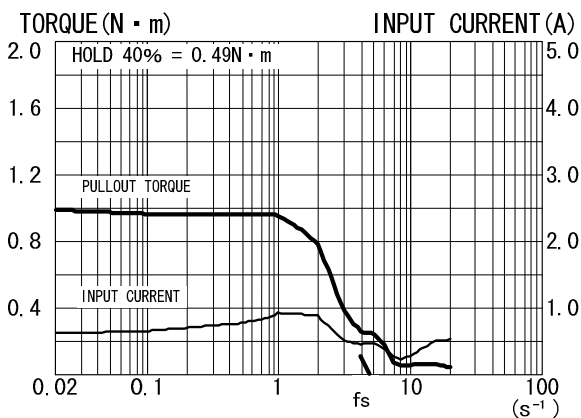
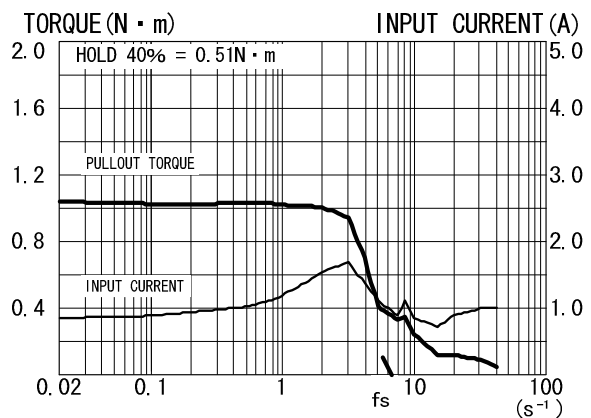


Fig. 12

ADB-2F40B
103H7123-5710
2.0A/PHASE

MOTOR SEL = No. B
DC24V



Instructions Manual

Fig. 13

ADB-2F40B
103H7126-5010
2.0A/PHASE

MOTOR SEL = No. B
DC24V

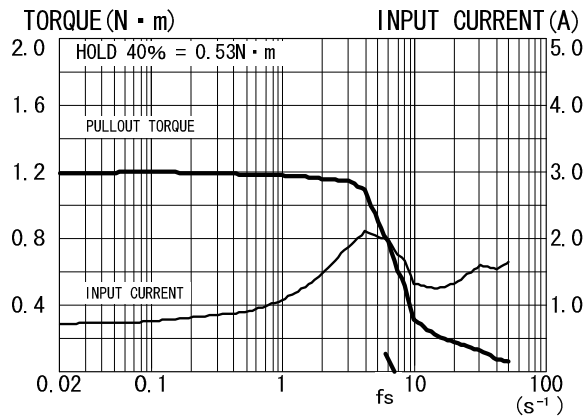


Fig. 14

ADB-2F40B
103H7126-5610
1.0A/PHASE

MOTOR SEL = No. 3
DC24V

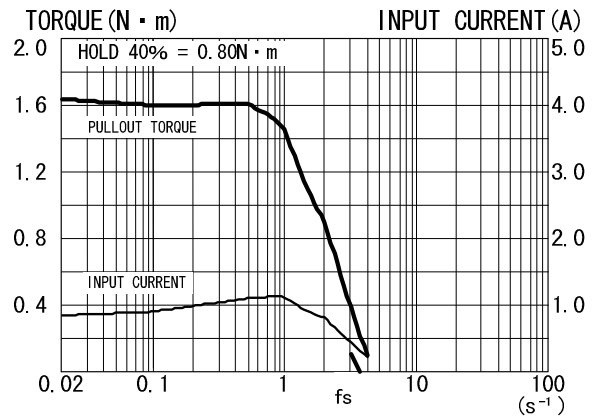


Fig. 15

ADB-2F40B
103H7126-5710
2.0A/PHASE

MOTOR SEL = No. B
DC24V

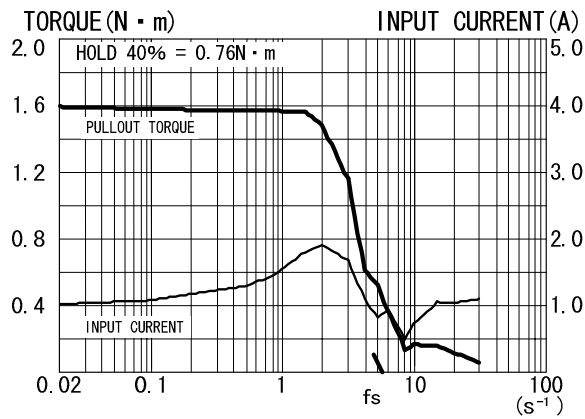


Fig. 16

ADB-2F40B
103H7128-5610
1.0A/PHASE

MOTOR SEL = No. 3
DC24V

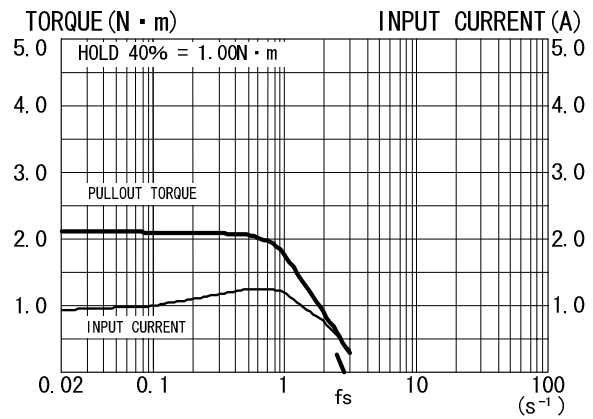


Fig. 17

ADB-2F40B
103H7128-5710
2.0A/PHASE

MOTOR SEL = No. B
DC24V

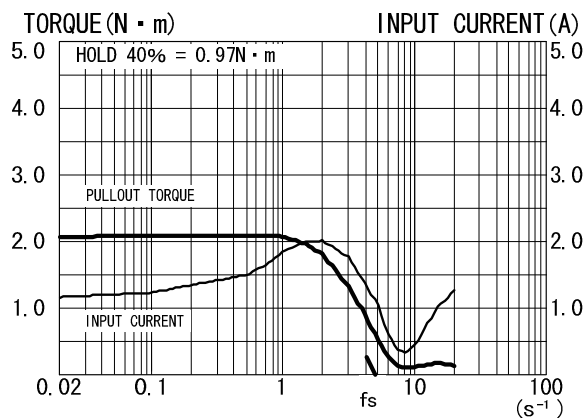
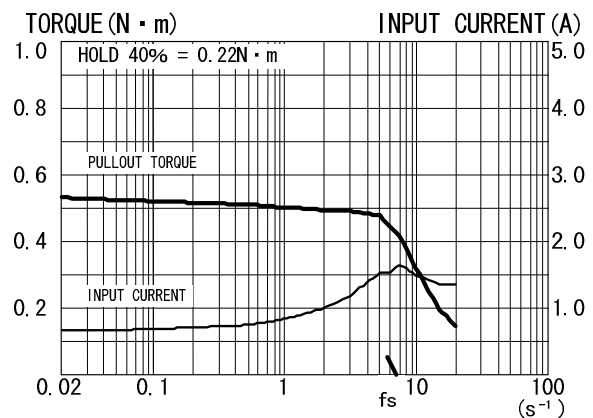


Fig. 18

ADB-2F40B
103H6704-5010
2.0A/PHASE

MOTOR SEL = No. B
DC24V



Instructions Manual

Fig. 19

ADB-2F40B
PK223PDB
1.5A/PHASE

MOTOR SEL = No. 7
DC24V

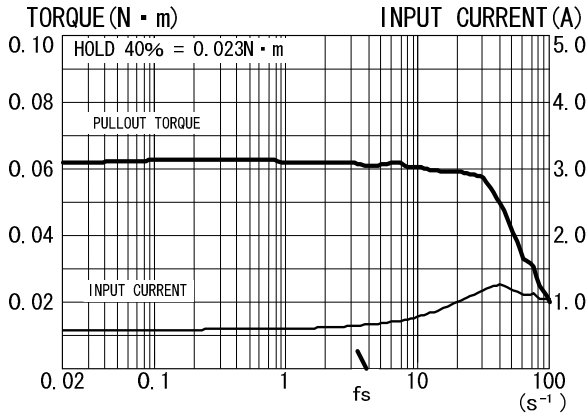


Fig. 20

ADB-2F40B
PK224PDB
1.5A/PHASE

MOTOR SEL = No. 7
DC24V

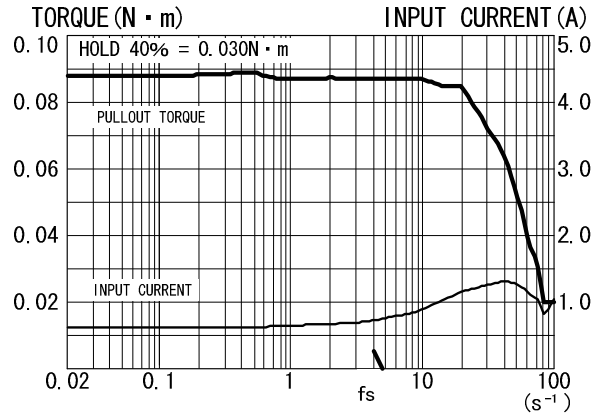


Fig. 21

ADB-2F40B
PK225PDB
1.5A/PHASE

MOTOR SEL = No. 7
DC24V

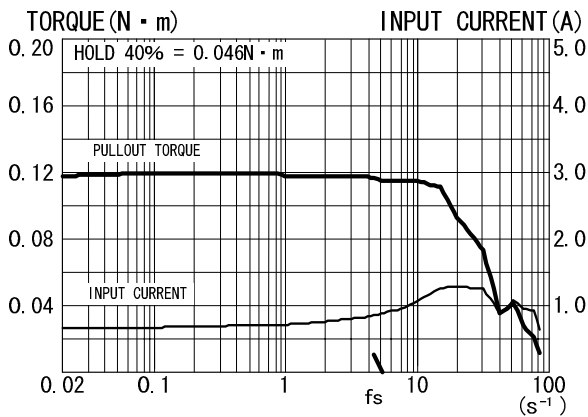


Fig. 22

ADB-2F40B
PK233PDB
1.5A/PHASE

MOTOR SEL = No. 7
DC24V

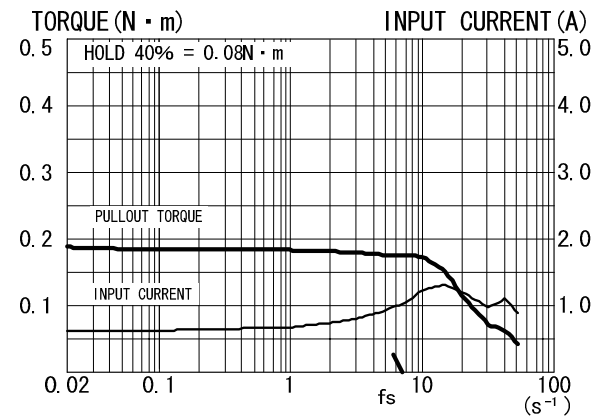
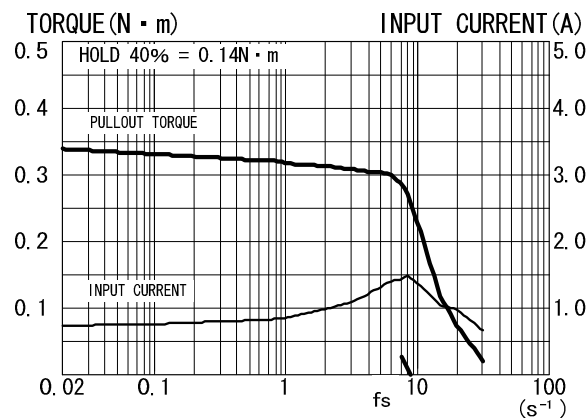


Fig. 23

ADB-2F40B
PK235PDB
1.5A/PHASE

MOTOR SEL = No. 7
DC24V



Instructions Manual

Fig. 24

ADB-2F40B
PK243DB
1.5A/PHASE

MOTOR SEL = No. 7
DC24V

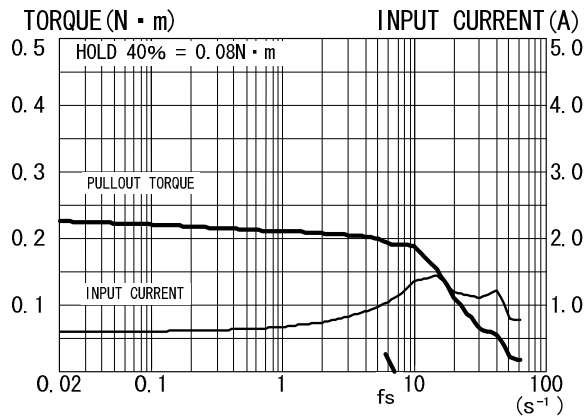


Fig. 25

ADB-2F40B
PK244DB
1.5A/PHASE

MOTOR SEL = No. 7
DC24V

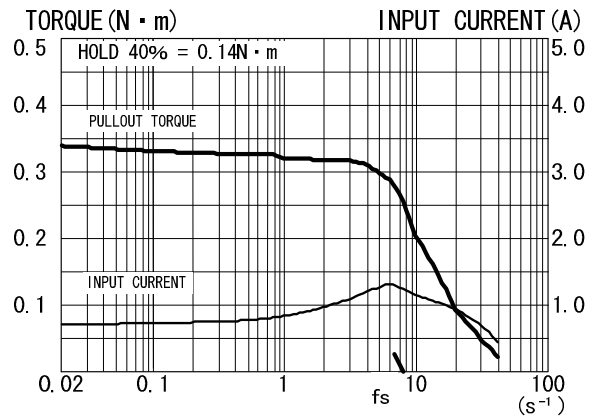


Fig. 26

ADB-2F40B
PK245DB
1.5A/PHASE

MOTOR SEL = No. 7
DC24V

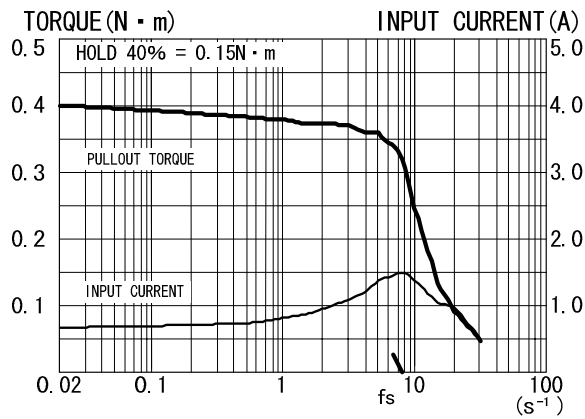


Fig. 27

ADB-2F40B
PK244PDB
1.5A/PHASE

MOTOR SEL = No. 7
DC24V

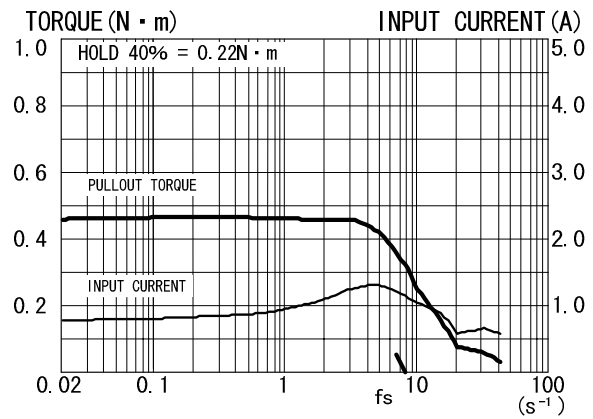
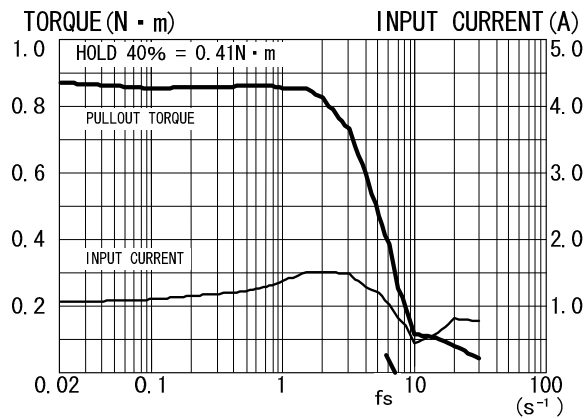


Fig. 28

ADB-2F40B
PK246PDB
1.5A/PHASE

MOTOR SEL = No. 7
DC24V



1 0 – 6. Conforming to Europe standards

R1

(1) Low voltage directive

This product is not subject to the EC' s Low Voltage Directive by the following.

- This product should be installed within an enclosure.
- For the driver' s power supply, use a DC power supply with reinforced insulation on its primary and secondary sides.

(2) EMC directive

This product declares the CE marking based on the EMC Directive by oneself.

● Applicable Standards

EN61000-6-4

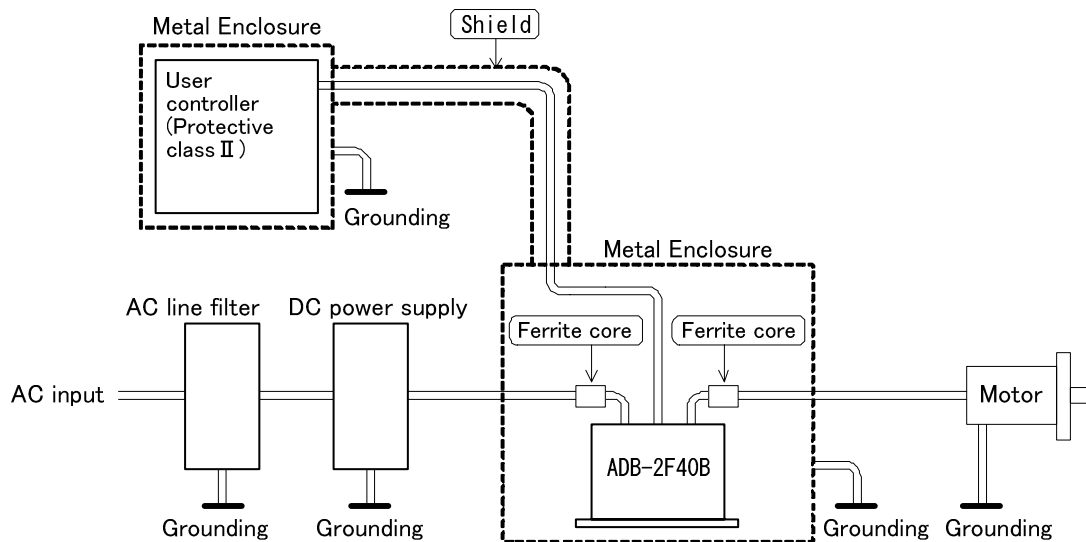
EN61000-6-2

● This product conducted EMC measurement with the system configuration for EMC.

- EMC characteristic may vary depending on the configuration of the equipment that contains the driver or stepping motor. Be sure to conduct EMC measurement with the product assembled in your equipment.

Configuration

The metallic enclosure and shielded wires and ferrite core work to shield noise.



The main parts which revised by this manual

Parts	Content
P43	【R1】 Deletion of the directive number.

Technical Service

TEL. (042) 664-5382 FAX. (042) 666-5664
E-mail s-support@melec-inc.com

Sales and Service

TEL. (042) 664-5384 FAX. (042) 666-2031
URL:<http://www.melec-inc.com>

Melec Inc. Control equipment marketing department
516-10, Higashiasakawa-cho, Hachioji-shi, Tokyo 193-0834, Japan

This Operating Manual is subject to change without prior notice
for the purpose of product improvement.

C1610